



TH-KH-66

H 型ヒンジ

Hinge (H type)

NEW

取扱品
PRODUCT

輸入品
IMPORT

RoHS

特長

オスとメスの分離方式で脱着が容易です。

用途

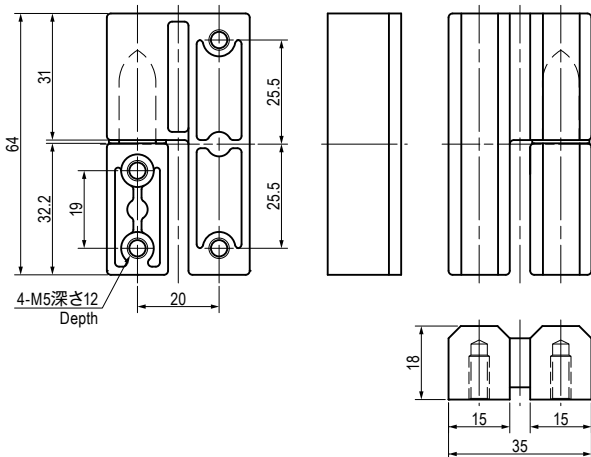
情報通信装備・半導体装備・各種試験装置・通信装備・OA 装備・事務用機器等

Characteristic

Features Male and female parts are separated so that it is easy to install a door.

Application

IT equipments / Semiconductor equipments / Various types of test equipments / Telecommunication equipments / Office automation appliances / Business equipments, etc.



材質と処理 Material & Finish

| 材質 Material | 処理 Finish |
|-------------|------------------|
| ZDC | Cr(黒色) Cr(Black) |

仕様 Specification

| 型番 Model No. | 自重 (g) Net Weight (g) | 価格 (円) Price (yen) |
|--------------|-----------------------|--------------------|
| TH-KH-66-2BU | 150 | ¥1,500 |